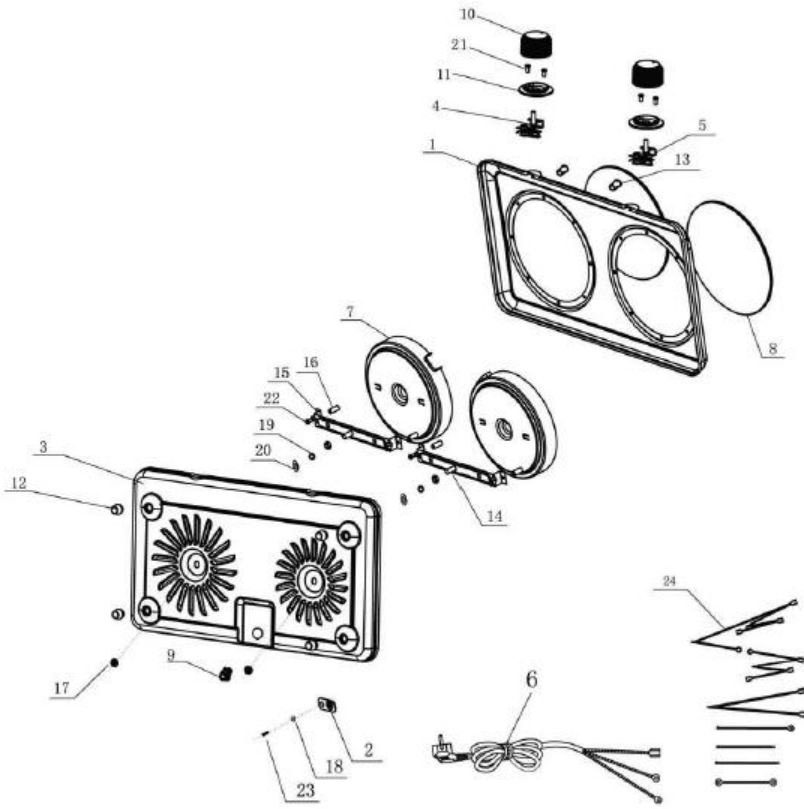


Infrared Cooker DIF2515



No.	Part Name
1	Upper shell
2	Earth connector
3	Down shell
4	GL30-1 Thermostat
5	GL31-1 Thermostat
6	VDE Plug and power cord
7	Heating element
8	Crystallite glass
9	Line fasten
10	Knob
11	Knob cycle
12	Rubber feet
13	Indicator light cover
14	Mounting stud
15	Fixed support
16	Mounting pillar
17	Hexagon nut
18	Spring washer
19	Spring washer
20	Flat gasket
21	Screw
22	Screw
23	Screw
24	Internal wire
25	Handle
26	Screw

Recycling for the metal and plastic components