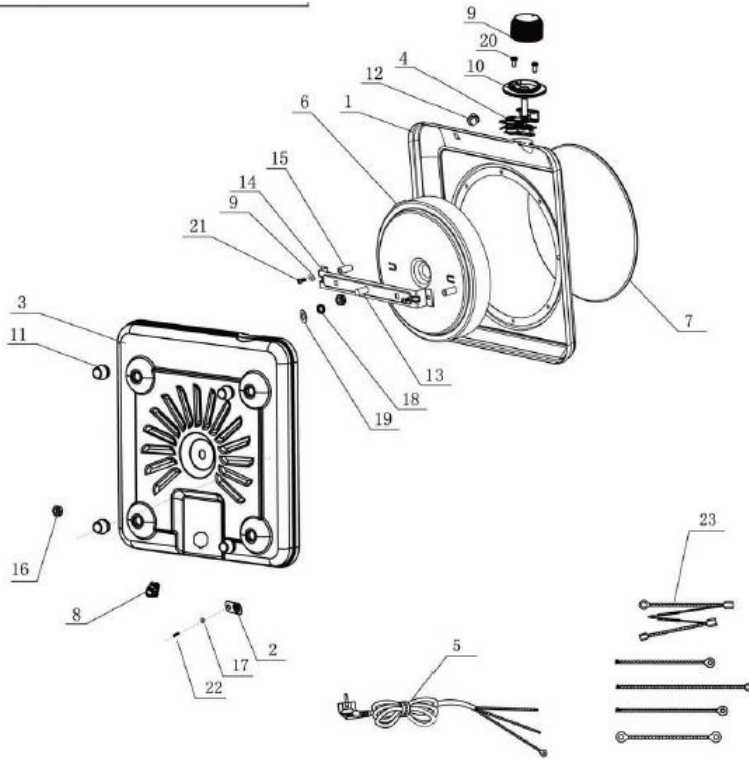


Infrared Cooker KIF1215



No.	Part Name
1	Upper shell
2	Earth connector
3	Down shell
4	Thermostat
5	VDE Plug and power cord
6	Heating element
7	Crystallite glass
8	Line fasten
9	Knob
10	Knob cycle
11	Rubber feet
12	Indicator light cover
13	Mounting stud
14	Fixed support
15	Riveting pillar
16	Hexagon nut
17	Spring washer
18	Spring washer
19	Flat gasket
20	Screw
21	Screw
22	Screw
23	Internal wire
24	Handle
25	Screw

Recycling for the metal and plastic components